

---

# Specification Sheet

---

---

Dye-Sensitized Solar Cell

Standard Module Panel

(Type: FDSC-FSC4FGC)

---

**Fujikura Ltd.**

# Dye-Sensitized Solar Cell Standard Module Panel

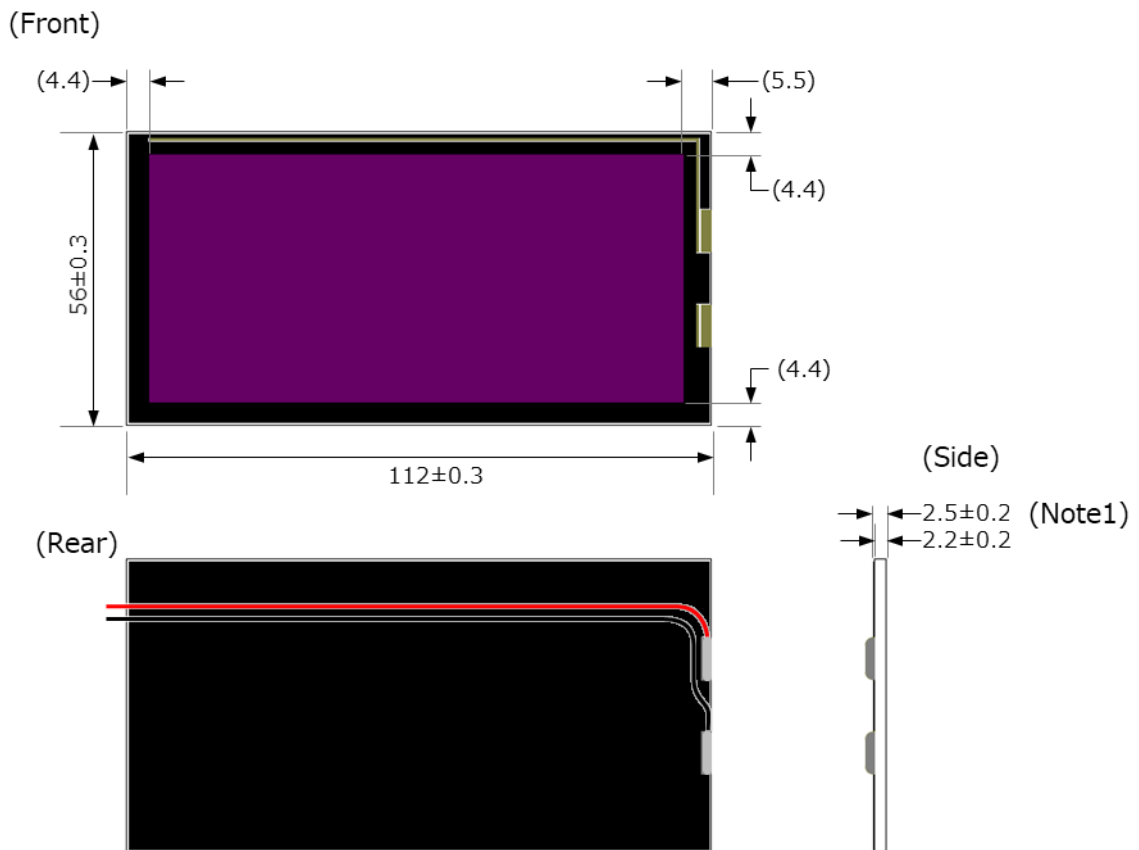
## Specifications

Model: FDSC-FSC4FGC

(Single cell, Size: 112 x 56 mm with UV protection film)

- This document describes the standard specifications at the time of publication. The specifications may be changed in the future for the purpose of improving performance. Consult the latest specification at all times.
- Be sure to read the operation manual carefully in addition to this specification and understand the contents before using the product.

### 1. Dimensions (Unit: mm)



The figures show the dimensions of the main unit of the solar cell.  
The details of the accessories and shapes are omitted in the figures.

The serial number is printed on the back.

The red lead wire is the positive terminal and the black lead wire is the negative terminal.

Lead wire: AWG24 UL1007, Standard length of the red wire Insulation:  $100 +50/-0$  mm  
from the edge of the solder joint

Lead-out length:  $5 \pm 1$  mm

(Note 1) The lead wires and soldered protrusions are not included in the dimensions.

## 2. Electric specifications

Item	Unit	Specification	Typical value	Condition
Maximum Power ( $P_m$ )	$\mu\text{W}$	Minimum 214 (Maximum output rating)	300	White LED 200 lx Ambient temperature 23°C
Operation Current ( $I_{op}$ ) at 0.38 V	$\mu\text{A}$	Minimum 554	776	
Open Circuit Voltage ( $V_{oc}$ )	V	0.45 - 0.65	0.50	

## 3. Operating conditions

Item	Unit	Minimum	Maximum	Note
Surface temperature	°C	-30	60	(Note 2)
Ambient humidity	%RH	1	90	No dew condensation
Illuminance	lx	n/a	100,000	

(Note 2) The surface temperature may rise above ambient temperature due to radiant heat.

## 4. Storage conditions

Item	Unit	Minimum	Maximum	Note
Surface temperature	°C	-30	70	(Note 2)
Ambient humidity	%RH	1	90	No dew condensation
Atmospheric pressure	hPa	550	1,100	Air cargo handling available

(Note 2) The surface temperature may rise above ambient temperature due to radiant heat.

## 5. External interface

Do not apply a current or voltage exceeding the maximum rating from the outside to the external interface (lead wire).

Item	Unit	Maximum rating
Forward voltage	mV	Maximum $V_{oc}$ +10%
Reverse current	mA	Maximum 10 mA