

## Sealed Fiber Optic Splice Closure

## FSCO-L5BR



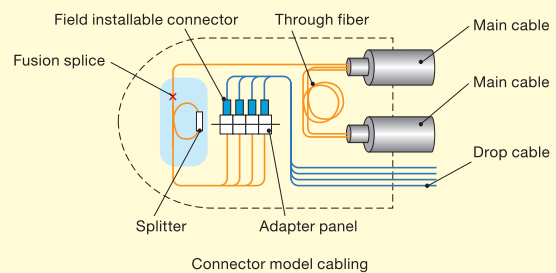
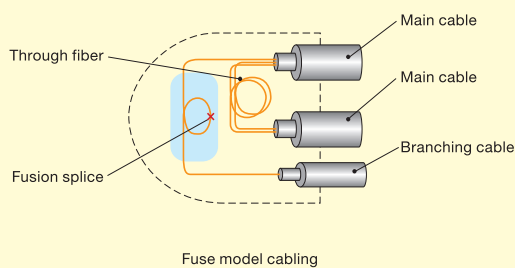
### Features

Cable entry section is single-sided dome structure which is suitable for space constrained hand holes (also possible to be used in man-holes, telephone tunnels etc.).

- Closure adopts hinge/buckle mechanism which makes dismantling/ assembling easy.
- Cable entry section can accommodate maximum 6 cables (main cable 2pcs, branching cable 4pcs).
- Supports both loose tube cables and slotted core cables
- Optional splitter tray accommodates 2pcs 1×8 splitters and support maximum 16 drop cables
- Suitable for apply in limited space areas such as hand holes
- Fully mechanical design, fiber reinforced plastic
- Recommendation of life span for 15 to 20 years (depends on environment)
- Concept of separate cable entries system
- Laser caution signs provided on cover of the top tray
- 360-deg access permits complete access to all wirework and equipment

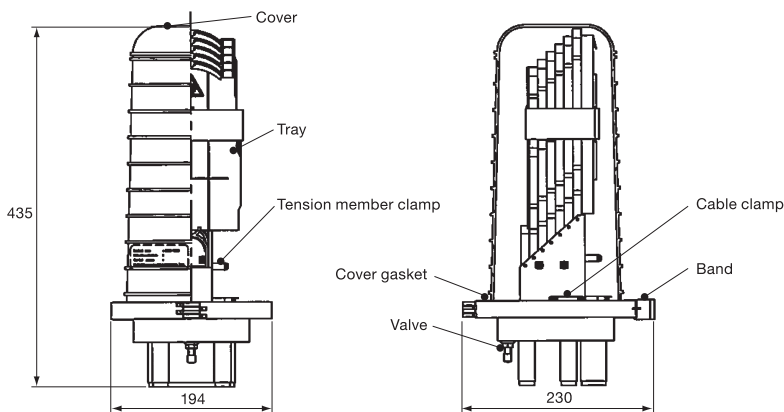
### Applications

- Up to maximum 240 fibers (4-ribbon fiber) splicing FTTH distribution networks
- Applicable for both branch cables and drop cables
- Chemical and mechanical resistance for underground, aerial and pedestal installation

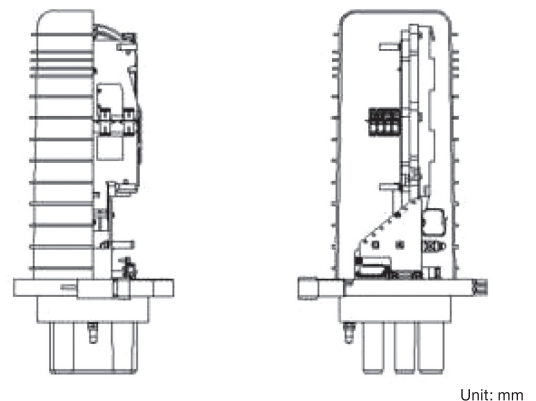


### Structure

#### • Fuse model structure



#### • Connector model structure



## Specifications

### Physical characteristics

<b>Material</b>	<ul style="list-style-type: none"> <li>Molded plastic (Cover, Splice tray, Tray base, End plate, Cable clamping)</li> <li>Stainless steel (Tension member clamp, Drop cable clamp, adapter tray),</li> <li>Synthetic rubber (Cover gasket, Valve gasket)</li> </ul>
<b>Dimension</b>	L435mm × D230mm
<b>Weight (without kit)</b>	Approx. 3.7kg
<b>Cable diameter</b>	Main cable:12-21 mm, Branch cable:8-17.5mm Drop cable :2 × 3mm (flat type) , 3mm dia.(round type)
<b>Cable capacity</b>	Main cable : 2cables Branch cable :2cables - 4cables* (*cannot be accommodated when 3mm round type drop cables are installed) Drop/indoor cable :Max 16cables (*cannot be accommodated when 4 branch cables are installed)
<b>Cable ports</b>	1 oval port for 2 main cables 4 round ports for branch cables or drop/indoor cables
<b>Splice tray capacity</b>	Max. 6 trays
<b>SC adapter capacity</b>	Max. 16 pcs
<b>Splitter capacity</b>	1 × 4: 4pcs or 1 × 8: 2pcs or 1 × 16: 1pcs
<b>Maximum fiber storage capacity</b>	Single fiber   144 fibers (24 fiber/tray) 4-fiber ribbon   240 fibers (10 ribbon/tray)
<b>Unreusable parts</b>	Heat shrink tube, branching clip

Note 1: Defaults to SC/UPC type adapter and splitter, please contact your local distributor for SC/APC type

Note 2: Fiber protection sleeves are attached to the product.

Note 3: Pole mount bracket is optionally available

### Technical characteristics

ITU-T L.13 complied

<b>Vibration</b> IEC61300-2-1	49kPa, A=±5mm, f=10Hz, 1,000,000 Cy, No damage, No leakage.
<b>Cable fixture (bend)</b> IEC61300-2-37	49kPa, ±90° bending radius 6D, 6Cy. No damage, No leakage.
<b>Cable torsion</b> IEC61300-2-5	49kPa, 400mm, ±90 degree, -15°C and 45°C, 5Cy. No damage, No leakage.
<b>Cable axial tension</b> IEC61300-2-4	49kPa, D/45 × 1000N (Max.1000N), 1hr No leakage
<b>Temperature cycling</b> IEC61300-2-22	-20°C ~ 60°C, 8h/Cy 100Cy. Then fill 49kPa air-pressure, No leakage.
<b>Impact</b> IEC61300-2-12	0.5kg, 0.3m @-10C. No damage, No splice case degradation.
<b>Immersion</b> IEC61300-2-23	Water depth 5m, 7days, No water intrusion.
<b>Air tightness</b> IEC61300-2-38	49kPa@Room temperature, 15min. No leakage.
<b>Degrees of protection (IP code)</b> IEC60529	IP67 : Water proof and No effective by duct
<b>Compression</b> IEC61300-2-10	1000N, 25cm <sup>2</sup> , 10min, -15°C and 45°C No leakage
<b>Chemical Resistance</b> IEC61300-2-34	pH2, pH12 for 5 days. No leakage, Visual appearance.
<b>Rust resistance</b> IEC61300-2-26	Salt spray 5% NaCl for 5days, No rust

## Ordering Information

Product Code

# FSCO-L5BR-X / Y

**Type of fiber capacity:**  
12, 24, 36, 48, 72, 96, 120, 144 fibers

**Number of splice tray:**  
1, 2, 3, 4, 5, 6

# FSCO-L5BR-16 / X / Y

**Type of splitter module (FWGC-SR15 Series)**  
**4SP** : 1 × 4 splitter module  
**8SP** : 1 × 8 splitter module  
**16SP** : 1 × 16 splitter module  
**2(8SP)** : 1 × 8 splitter module × 2 sets

**Type of adapter**  
 Null : UPC adapter  
 A : APC adapter

**Number of SC adapters :**  
16 pcs

## Notes