

MK04

Instruction Sheet

Warning! This tool should not be used on live electrical circuits. It is not protected against electrical shock! Always use OSHA/ANSI/CE or other industry approved eye protection when using tools. This tool is not to be used for purposes other than intended. Read carefully and understand instructions before using this tool.

The **Model Mk04 (P/N 39376)** is an insulation cutting tool for cable with a diameter range of 3/4" - 2" (20mm -50mm). The tool creates a precise depth of cut in PE, PVC, or rubber insulated cables, assisting in the insulation removal. The depth of cut can be set up to 3/16" deep (5mm).



Operation

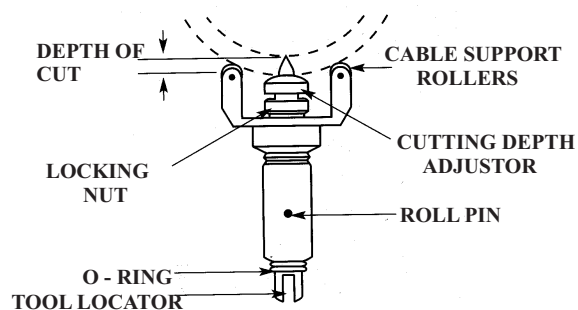
1. Setting cutting depth. Open the head of the tool by pressing catch "A" and remove the cartridge. Release the lock nut and set the cutting depth by rotating the knurled adjustor. The correct cutting depth should be set against the cable to be stripped, as shown in Figure 1. After blade is set, re-tighten lock nut.

2) Set roller support. For certain hard insulations or irregular cable it will be necessary to use the cable support rollers. Having set the cutting depth, rotate and adjust the rollers up to create three points of contact (rollers and depth adjustor) with the cable.

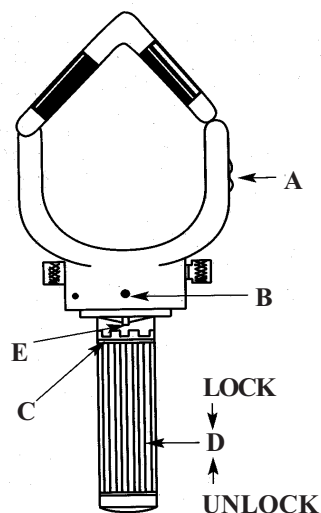
3) After setting blade and rollers, replace the cartridge by pressing it firmly home into the tool. On the base of the tool yoke are 3 colored marks which when in line with the teeth (E) on the tool handle, give the following types of cut:

Color (B)	Type of cut
Red	Circular
White	Longitudinal
Blue	Spiral

The first cut to be performed will always be a circular cut, therefore the two teeth (E) should be in line with the yellow marks on the tool. Disengage the handle slots (C) from their locating teeth by pulling the handle (D) away from the tool. Open the head of the tool by pressing catch (A) and place round cable at desired location. Close head of tool and turn handle (D) in a clockwise direction until blade has penetrated the cable to the cutting depth adjustor. Lock the setting by pushing the handle inwards towards the tool. Rotate tool round the cable until complete circumferential penetration of insulation has been achieved.



FIXED BLADE CARTRIDGE FIG. 1



TOOL BODY

WARRANTY: RIPLEY warrants its products against defective materials and workmanship for a period of one year from date of shipment from the RIPLEY factory provided the product is utilized in accordance with instructions and specified ratings. This does not effect your statutory rights.



46 Nooks Hill Road
Cromwell, CT 06416
Phone: 800-528-8665
Int'l: (01) 860-635-2200
Fax: (01) 860-635-3631
E-mail: info@ripley-tools.com
Internet: www.ripley-tools.com

Ripley Europe Ltd
Building 47, Bay 4, Second Avenue,
The Pensnett Estate, Kingswinford,
West Midlands, England, DY6 7UZ.
Phone: +44(0)1384400070
Fax: +44(0)1384400060



MK04

Instruction Sheet page 2

Warning! This tool should not be used on live electrical circuits. It is not protected against electrical shock! Always use OSHA/ANSI/CE or other industry approved eye protection when using tools. This tool is not to be used for purposes other than intended. Read carefully and understand instructions before using this tool.

Operation

4. Depending upon the type of insulation either a longitudinal or spiral cut can now be performed (as shown in Figs 3 and 4) by rotating the handle to the desired position. For a longitudinal cut set to the white mark and with an even pressure pull the tool to the end of the cable. For a spiral strip set to the blue mark, and again with an even pressure rotate the tool around the cable to complete the strip. The insulation can now be pried off with fingers or pliers.

**LONGITUDINAL CUT
CARTRIDGE IN WHITE
POSITION**

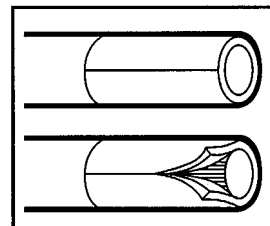


FIG 3

MK 04 (P/N 39376)

Comes complete with both FC-2 and FC-3 Blade Cartridges. Cutting depth for each cartridge is up to .200”(5mm) max.

**SPIRAL CUT
CARTRIDGE IN
BLUE POSITION**

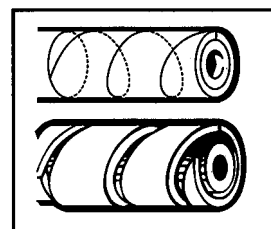


FIG 4

BLADE CARTRIDGE (MK04)	
CABLE DIAMETER	BLADE CARTRIDGE
.79”-1.50”(20MM-38MM)	FC-3 (LONG)
1.37”-1.96”(35MM-50MM)	FC-2 (SHORT)

Blade Replacement

Unscrew the depth adjuster assembly from the blade cartridge. Knock out the roll pin(fig 1)and pull out the old blade assembly. Insert new blade assembly (#39379)and align hole in the blade assembly with hole in the cartridge .Fit new roll pin(as supplied)to retain blade assembly in the cartridge. Re-assemble the cutting depth adjuster to the cartridge.

WARRANTY: RIPLEY warrants its products against defective materials and workmanship for a period of one year from date of shipment from the RIPLEY factory provided the product is utilized in accordance with instructions and specified ratings. This does not effect your statutory rights.



46 Nooks Hill Road
Cromwell, CT 06416
Phone: 800-528-8665
Int'l: (01) 860-635-2200
Fax: (01) 860-635-3631
E-mail: info@ripley-tools.com
Internet: www.ripley-tools.com

Ripley Europe Ltd
Building47,Bay4,Second Avenue,
The Pensnett Estate, Kingswinford,
Westmidlands,England,DY6 7UZ.
Phone:+44(0)1384400070
Fax:+44(0)1384400060



39730 rev.4
06-26-19 ff/dg